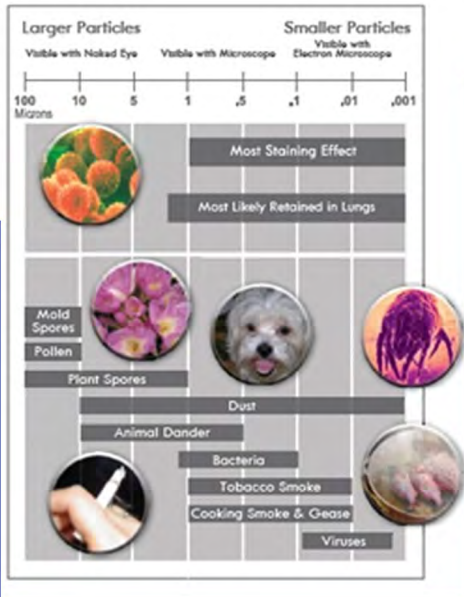


Five Seasons®



THE PORTABLE TRUE HEPA AIR CLEANER OFFERS THE ULTIMATE IN AIR FILTRATION AND STERILIZATION. THIS PATENT-PENDING COMBINATION USES HEPA, AND UVC GERMICIDAL OXIDATION. IT REMOVES AND DESTROYS ALLERGENS, LUNG DAMAGING ATMOSPHERIC DUST, BIOLOGICAL AND CHEMICAL CONTAMINATES AND ODORS, SUCH AS TOLUENE, BENZENE, COOKING ODORS, TOBACCO SMOKE, BACTERIA, VIRUSES, MOLD AND MORE.

About Us

Lohmiller & Company is your one stop location for the best equipment brands, after-market parts and supplies and HVAC expertise in the industry. With four locations to serve you, we are where you need us. our team of highly trained HVAC experts are focused on using their know how to provide you with the help you need.

SEE BACK FOR PRICING


Lohmiller & Company


HVACR EQUIPMENT | PARTS | CONTROLS | SHEET METAL | HYDRONICS



Contact Us

(303) 825-4328
 ordering@CarrierWest.com
 www.Lohmiller.com

 @lohmillierandcompany

 @Bryant-Colorado

 @CarrierColorado

Lohmiller & Company

HVACR EQUIPMENT | PARTS | CONTROLS | SHEET METAL | HYDRONICS



Carrier West



Rocky Mountain Bryant

DOWNLOAD OUR APP

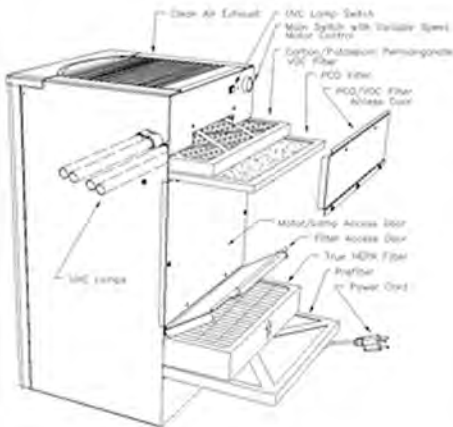
DO NOT MISS OUT ON OUR SPECIALS



Five Seasons®

PRICING

Part#	Description	Function	Price
FSDM900UV-VO-VS	Whole House Duct Mount 5 in 1 Hepa	Can be used with return air duct or suspended from ceiling	\$ 722.50
FSP900	Mobile True HEPA 5 in 1 on wheels	Can be placed anywhere in the dwelling	\$ 853.86
DM900-0855	Carbon Prefilter	Protects HEPA filter by capturing lint, dander, large particles	\$ 17.10
DMH40400	True HEPA filter	Removes particles down to 0.3 microns (1/84,000 of an inch)	\$ 52.56
DM900-0191	Replacement UVC bulbs (2)	Kills bacteria & organic material not captured by the HEPA	\$ 93.87
DM900-0450	Photo Catalytic Oxidation (PCO) filter	Works with UVC lights to capture bacteria & organic material	\$ 71.52
DM900-0810	Carbon / Potassium Permanganate filter	Removes any remaining VOC's and light gases	\$ 64.81
DM900-1003	Maintenance Kit, containing UV bulbs and all filters	Full 5 in 1 HEPA maintenance	\$ 410.57



www.Lohmiller.com



ordering@CarrierWest.com



(303) 825-4328

Price Effective: 3/13/2020

Price Expires: 3/31/2020